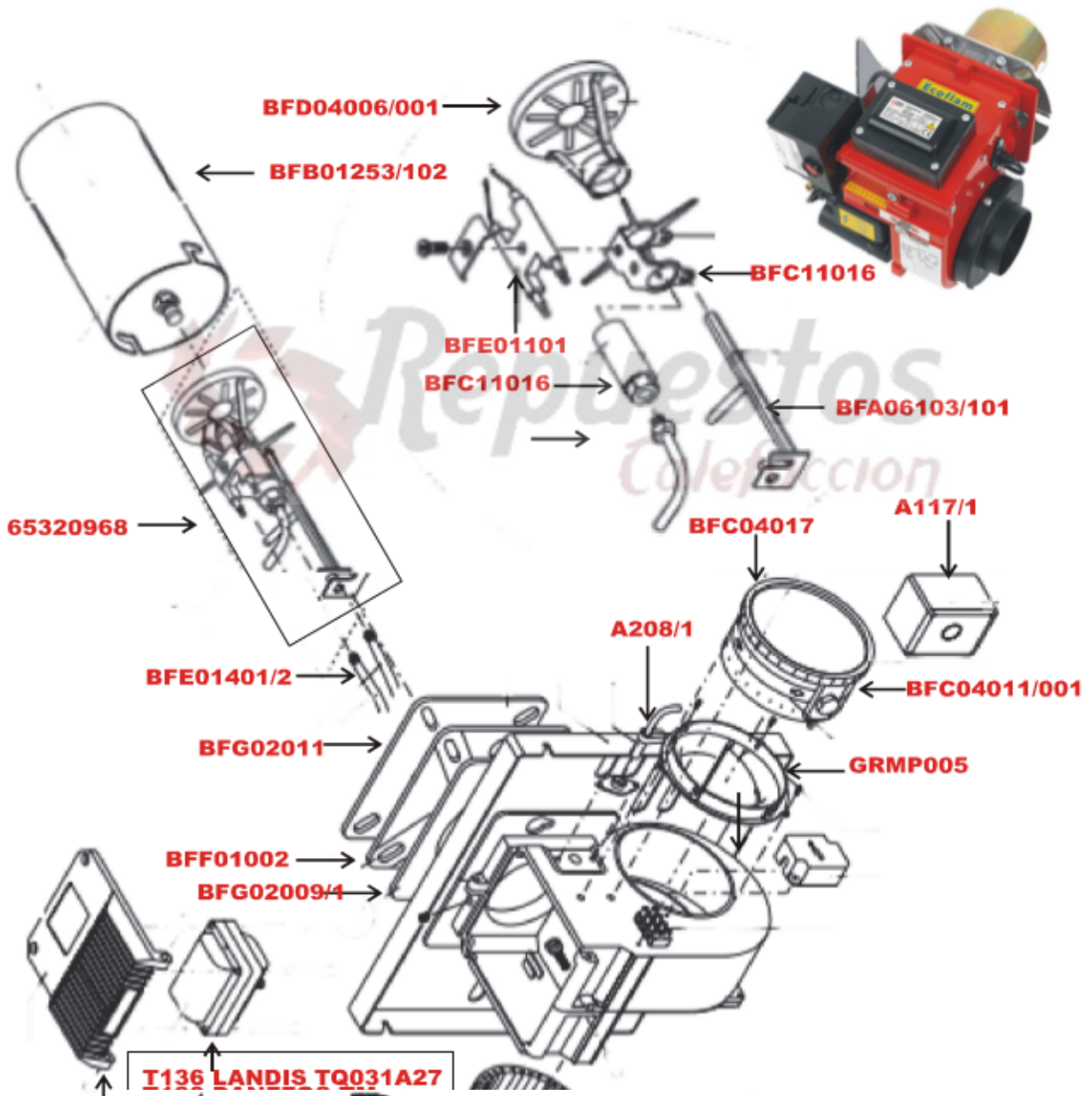
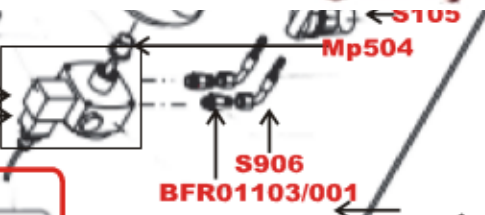


**MINOR
4.1 R cr**



**Repuestos
Calefaccion**



V510/2 DANFFOS

MINOR 5.1 R MINOR 12.1 R	MINOR 5.1 R MINOR 12.1 R
-----------------------------	-----------------------------

